

4

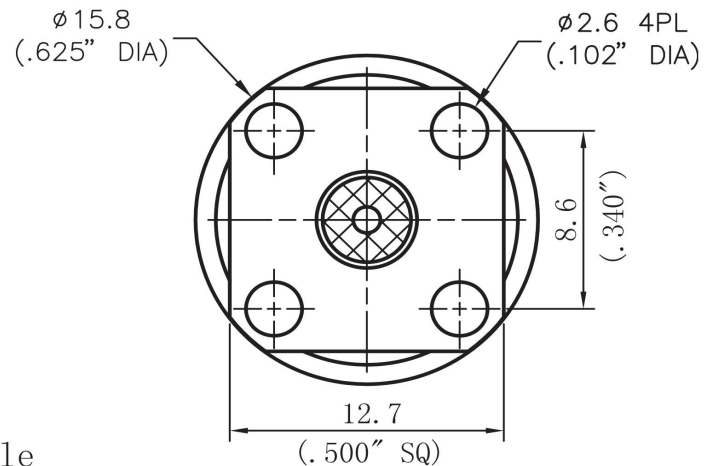
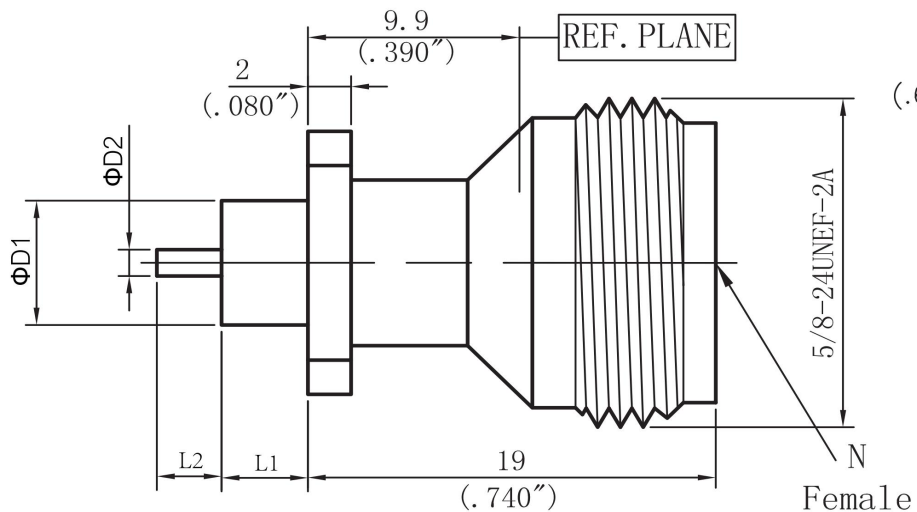
3

2

1

THIS DRAWING UNPUBLISHED.	RELEASED FOR PUBUCATION
---------------------------	-------------------------

LOC	DIST	REVISIONS				
---	---	P	LTR	DATE	DWN	APVD
		---	---	---	---	---



NOTES:

1.ELECTRICAL:

- 1.1 IMPEDANCE: 50Ω
- 1.2 INSULATION RESISTANCE:5000M Ω
- 1.3 FREQUENCY RANGE: DC-18 GHz
- 1.4 DIELECTRIC WITHSTANDING VOLTAGE: 1000V MAX AT SEA LEVEL
- 1.5 VSWR: ≤1.15:1
- 1.6 INSERTION LOSS: 0.20dB (MAX)

2.ENVIRONMENTAL:

- 2.1 TEMPERATURE RANGE: -55° to +165°

3.MATERIAL AND FINISH:

- 3.1 INNER CONDUCTOR MATERIAL: BERYLLIUM BRONZE GOLD PLATING
- 3.2 EXTERNAL CONDUCTOR MATERIAL: STAINLESS STEEL PASSIVATED
- 3.3 INSULATOR: PTFE

MODEL	ØD1	ØD2	L1	L2
XQY-NTFM0306F01-M	6.0mm/0.236"	1.27mm/0.050"	4.0mm/0.157"	3.0mm/0.118"
Accept custom sizes and styles				

THIS DRAWING IS A CONTROLLED DOCUMENT		21/10/2021	Shenzhen xinqiyuan Technology Co., Ltd.	
		CHK		
DIMENSIONSMM		TOLERANCES UNLESS OTHERWISE SPECIFIED: ±0.1	NAME N Female RF Coaxial Connector Metal through	
		Note: Dimensions (mm / [inch])		
		APVD	SIZE A4	CAGE CODE 01021
		APPLICATION SPEC		
		WEIGHT	DRAWING NO XQY-NTFM0306F01-M	

4

3

2

1